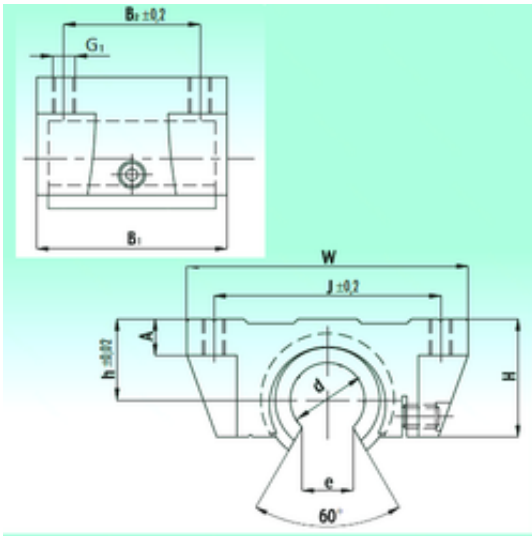




Bea cojinetes Private Co.



TBR 25 Bearing 2D drawings and 3D CAD models

NBS TBR 25 Cojinetes Lineales

Bearing No. TBR 25

Bore Diameter	25 mm
d	25 mm
Thread (G1)	M8
e	11,5 mm
h	28 mm
A	12 mm
B1	65 mm
B2	50 mm
H	41 mm
J	65 mm
W	82 mm
Weight	0,6 Kg
Basic dynamic load rating (C)	1,568 kN