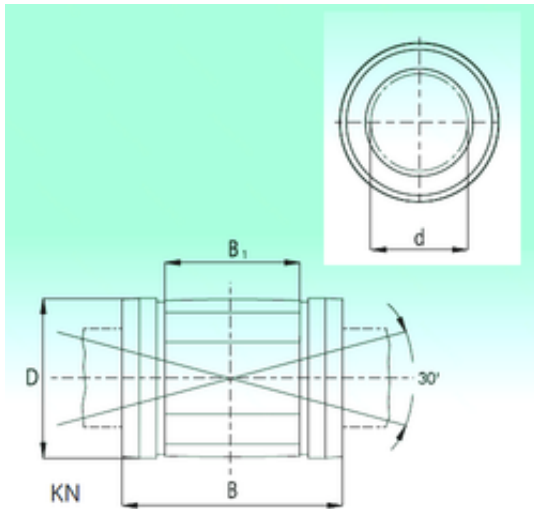




Bea cojinetes Private Co.



KN3068-PP Bearing 2D drawings and 3D CAD models

30 mm x 47 mm x 68 mm NBS KN3068-PP Cojinetes Lineales

Bearing No. KN3068-PP

Size	30x47x68 mm
Bore Diameter	30 mm
Outer Diameter	47 mm
Width	68 mm
d	30 mm
D	47 mm
B	68 mm
B1	48 mm
Weight	0,185 Kg
Basic dynamic load rating (C)	3,2 kN